

Self-propelled vertical mast

- Compact dimensions
- Light weight
- Extended working area
- Inside and outside use



100 VJR *EVOLUTION*

Working height9.90 m
Platform height.....7.90 m
Outreach.....3.15 m

Platform capacity200 kg (2 persons)
External use200 kg (1 person)
Basket size0.90*0.75 m

Overall length2.82 m
Overall width0.99 m
Overall height1.99 m
Ground clearance10 cm
Turning radius :
 ⑥ Inside0.49 m
 ⑥ Outside1.98 m

Turret rotation350°
Jib tilting140°

Traction battery24 V/250 Ah (C5)
Integrated charger.....24 V/30 Ah

Drive speed4 km/h
Working speed.....0.6 km/h

Gradeability25%
Max. slope accepted2° or 3.5%

Weight2650 kg

Standard equipment:

- Lifting brackets
- Horn
- Hour meter
- Battery charge indicator
- Emergency manual descent
- Wheels with non-marking tyres
- Integrated charger

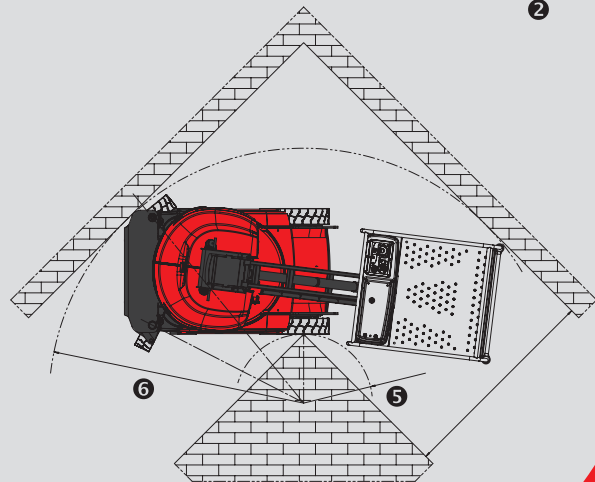
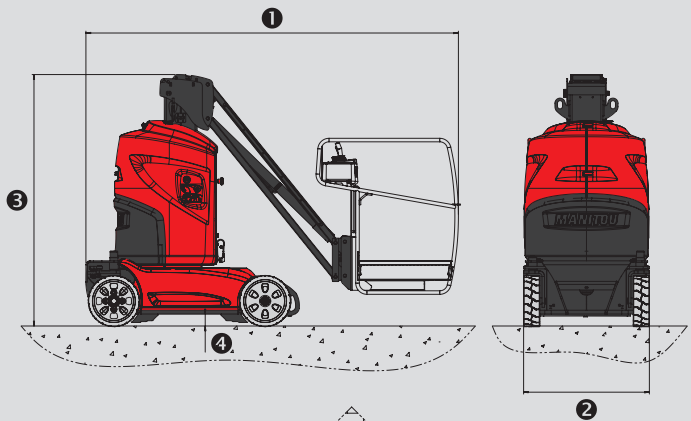
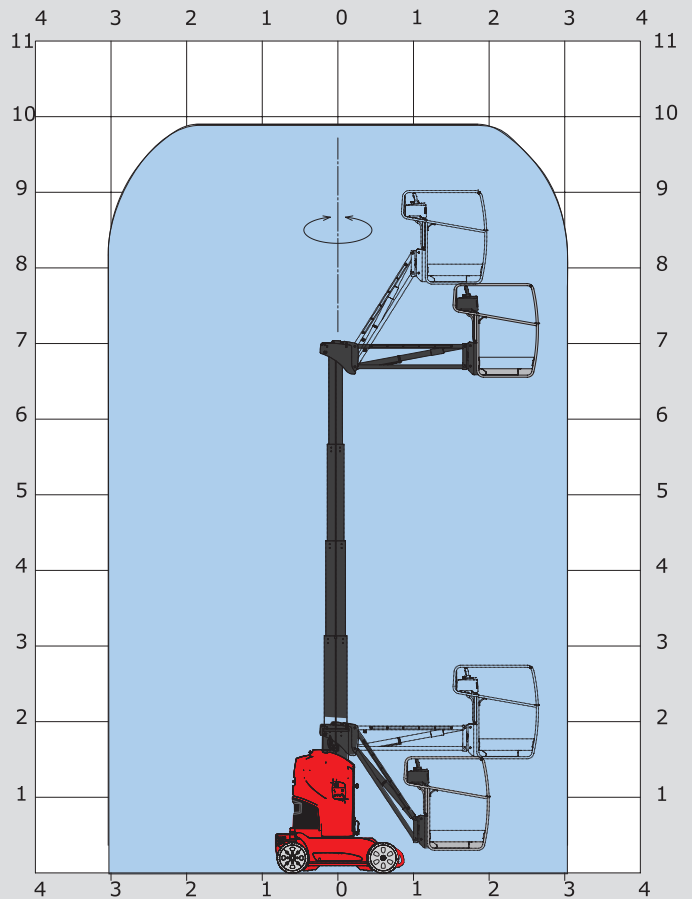
Options:

- Air predisposal
- Water predisposal
- Provision of 230 V
- 230 V socket with differential circuit-breaker
- Flashing light
- Working lights
- Biodegradable oil
- Oil for cold weather

This publication in no way constitutes an offer and the company reserves the right to alter specification without prior notice.
 The MANITOU models presented in this brochure can be supplied complete with optional equipment attachments.

MANITOU BF SA

B.P. 249 - 44158 Ancenis Cedex - France
 Tel. : 33 2 40 09 10 11 / Export Department Fax : 33 2 40 09 10 97
 www.manitou.com



mainline
 PLANT • ACCESS • TRAINING • POWER

